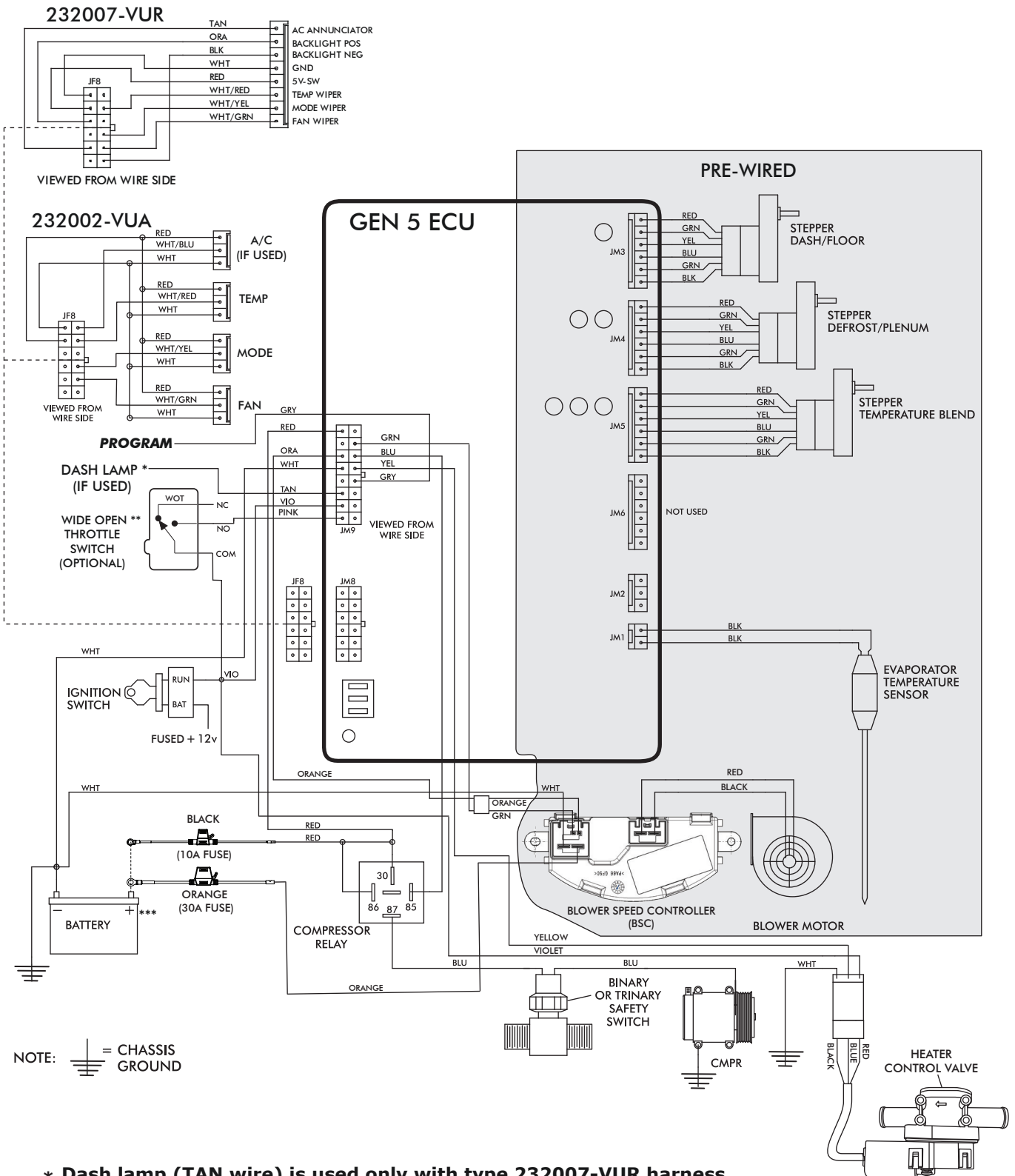




www.vintageair.com

# Gen 5 Wiring Diagram



NOTE: = CHASSIS GROUND

\* Dash lamp (TAN wire) is used only with type 232007-VUR harness.

\*\* Wide open throttle switch contacts close only at full throttle, which disables A/C compressor.

\*\*\* Install fuse assemblies at or as near to the battery as possible.